

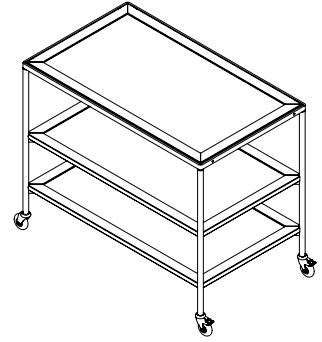
cra'ster

ASSEMBLY INSTRUCTIONS TO_MOD31

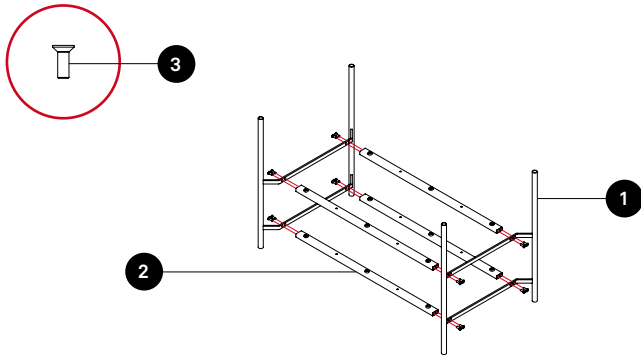
| | | |
|---------------------|--|--|
| Product Name | Fare Trolley | |
| Codes | TO_MOD31_OAKN, TO_MOD31_WALN, TO_MOD31_OAKB, TO_MOD31_B4145 | |
| Dimensions | 1100 x 650 x 880 mm / 43.3 x 25.6 x 34.6 in | |
| Components | <ul style="list-style-type: none">❶ End Frame x2❷ Crossbar x4❸ M8x25 CSK Machine Screw x16❹ Upper Frame x1❺ M6x50 Machine Screw x4 | <ul style="list-style-type: none">❻ Castor Wheel x2❼ Castor Wheel Braked x2❽ Top Shelf x1❾ Lower Shelf x2 |

Additional Tools

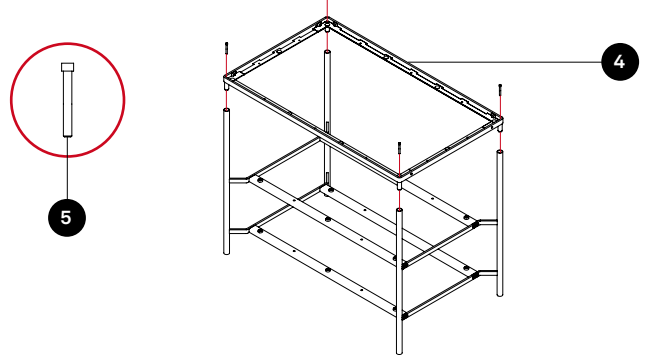
- 5mm Allen Key



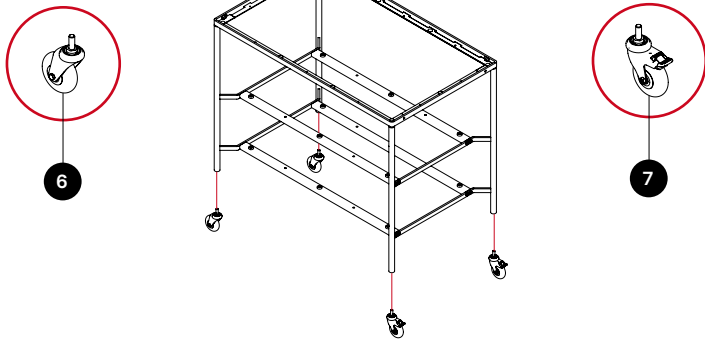
1. Attach End Frames to Crossbar x4 with M8x25 CSK Machine Screw x16
▲ Tighten to 25NM ▲



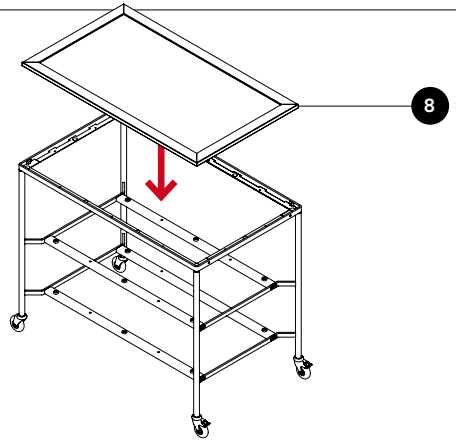
2. Insert Upper Frame locator lugs into assembled Lower Frame
3. Attach Upper Frame with M6x50 Machine Screw x4
▲ Tighten to 25NM ▲



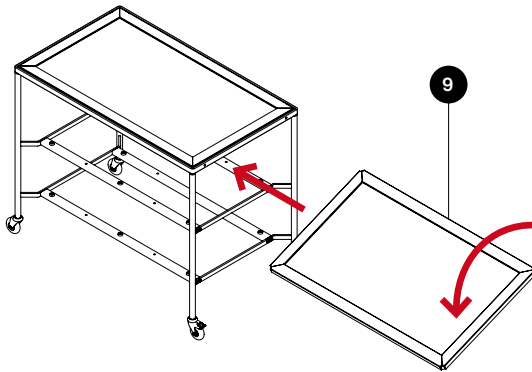
4. Screw Castor Wheels to End Frame tube ends x4
▲ Tighten to 25NM ▲



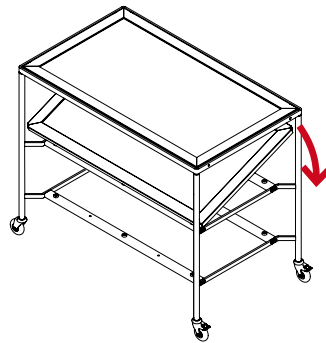
5. Rest the Top Shelf into the top of the Upper Frame



6. Rotate and insert the Middle Shelf



7. Rest the Middle Shelf into the Middle Frame
8. Repeat actions 6. and 7. for the Bottom Shelf



Company Address
Craster Ltd
Great Western Studios, 65 Alfred Road
London W2 5EU

Company Info
VAT Reg No. 599599046
Registered in England
Company No: 4503732

UK Telephone
+44 (0) 203 004 4750
USA Telephone
+1 732 543 7862

Email
info@craster.com
Web
www.craster.com