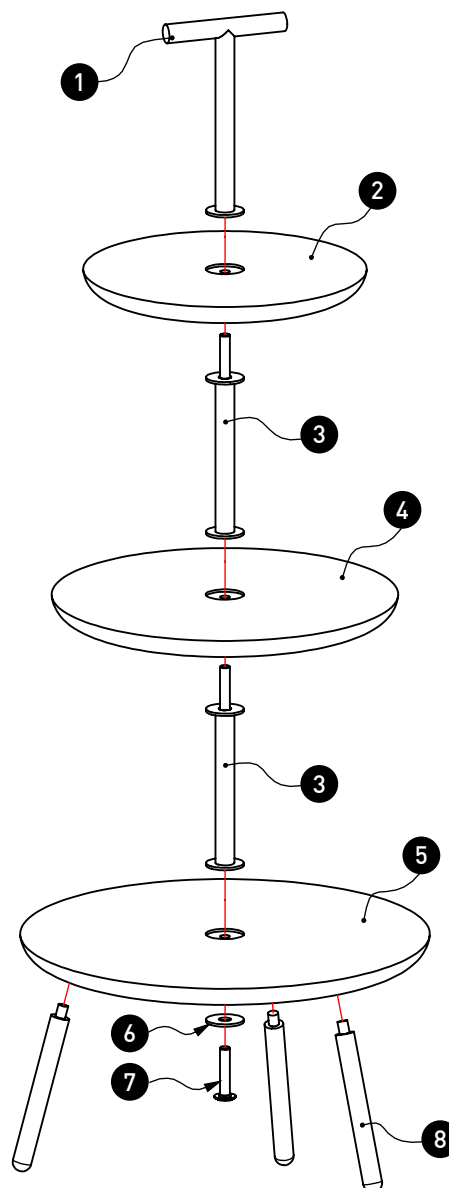
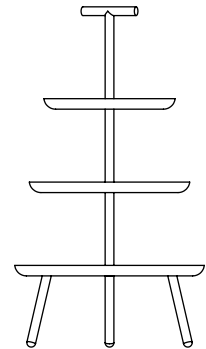


craster

ASSEMBLY INSTRUCTIONS BU_SF11246, BU_SF21346

Product Name	Alto Cake Stand	
Codes	BU_SF11246, BU_SF21346	
Dimensions	325ø × 583.5 mm / 12.8ø × 23"	
Components	<ul style="list-style-type: none">1 T-handle2 Top Board3 Spacer Bars ×24 Middle Board	<ul style="list-style-type: none">5 Bottom Board6 Washer7 Bolt8 Legs ×3
Additional Tools	• Allen Key	



Company Address
Craster Ltd, Suite 218
Great Western Studios, 65 Alfred Road
London W2 5EU

Company Info
VAT Reg No. 599599046
Registered in England
Company No: 4503732

UK Telephone
+44 (0) 203 004 4750
USA Telephone
+1 732 543 7862

Email
info@craster.com
Web
www.craster.com