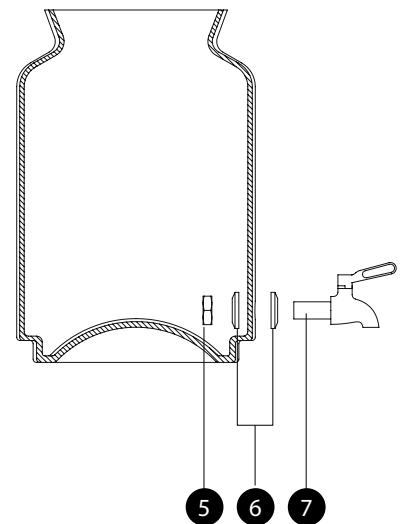
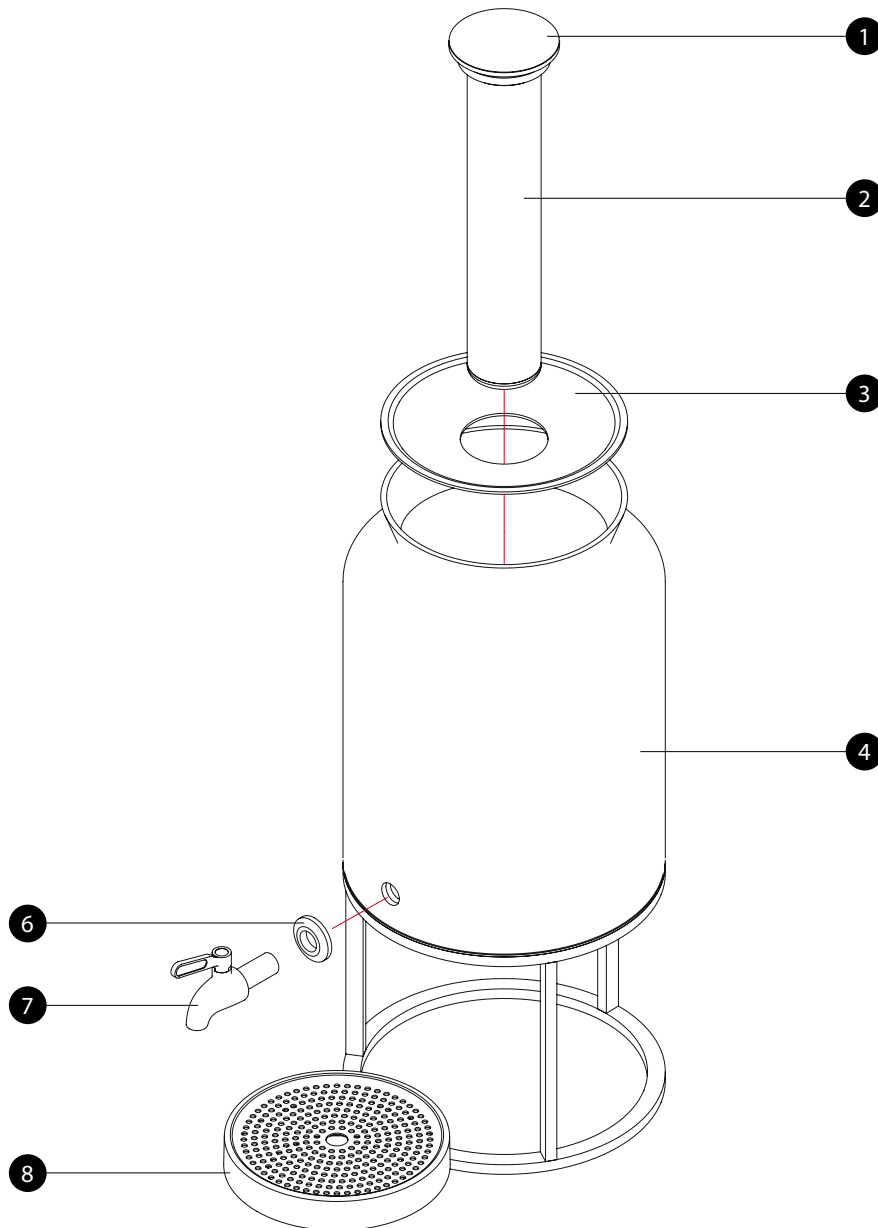
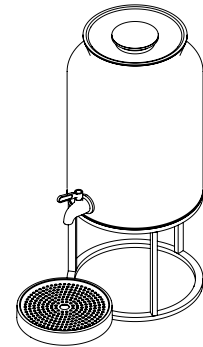


craster

ASSEMBLY INSTRUCTIONS SET_JD, SET_JDTR

Codes	SET_JD, SET_JDT	
Dimensions	218ø × 322 mm / 5.6ø × 12.7" Volume: 8 litres	
Component s	① Stainless Steel Cooling Cap ② Stainless Steel Cooling Tube ③ Stainless Steel Lid ④ Glass Vessel	⑤ Stainless Steel Nut ⑥ Washer + Rubber Gasket ×2 ⑦ Stainless Steel Tap ⑧ Drip Tray (2 pa rts)



Company Address
Craster Ltd
Great Western Studios, 65 Alfred Road
London W2 5EU

Company Info
VAT Reg No. 599599046
Registered in England
Company No: 4503732

UK Telephone
+44 (0) 203 004 4750
USA Telephone
+1 732 543 7862

Email
info@craster.com
Web
www.craster.com